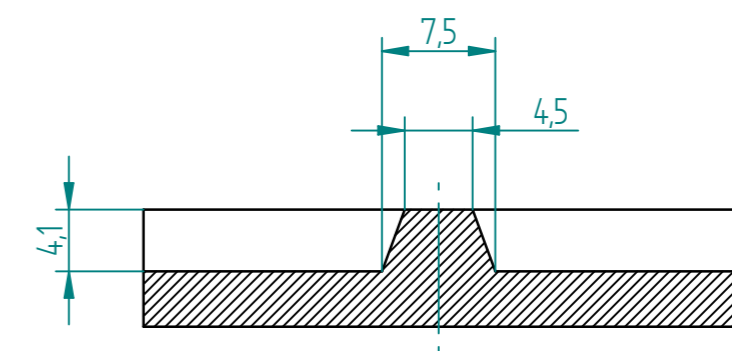
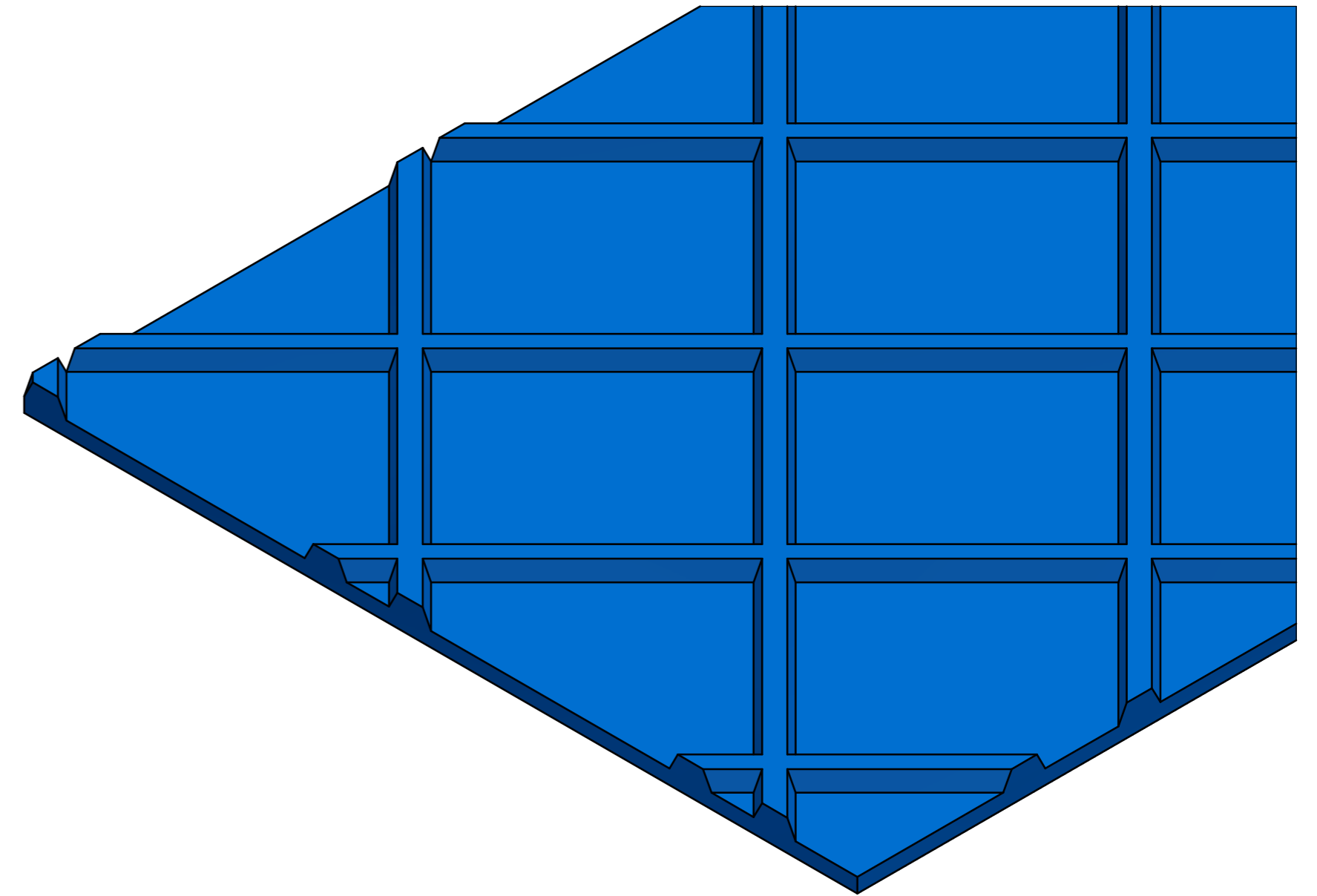
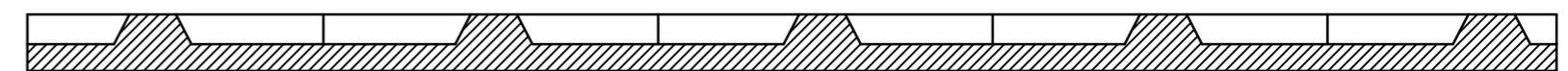


REMARK: DIMENSIONS ARE TAKEN FROM BELT SAMPLE



SECTION A-A  
SCALE 2:1



SECTION B-B  
SCALE 1:1

05					
04					
03					
02					
01	FINAL	P.H.	07-07-2017		
NR.	REVISION DESCRIPTION	DRWN/ APPR.	DATE		
TITLE:	A20 DIAMOND 65mm	ASSEMBLY NUMBER:	N.A.	SCALE: 1:1	DATE: 7-7-2017
SURFACE TREATMENT:		SHEET NUMBER:	1 / 1	UNIT: mm	REVISION: 01
COLOUR:	N.A.	THICKNESS:	N.A. $\mu\text{m}$	DRAWN: P.HULSKAMP	SIZE: A2
				DWG NR: GEN0009-A20	

