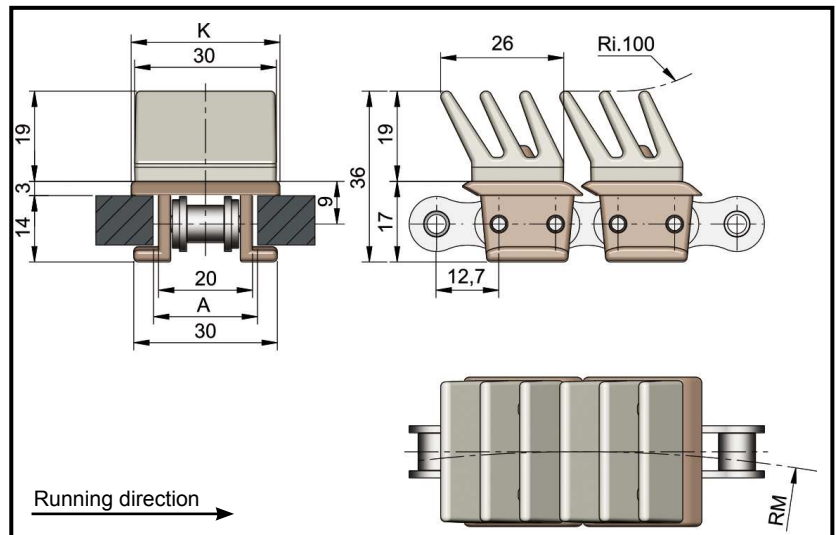
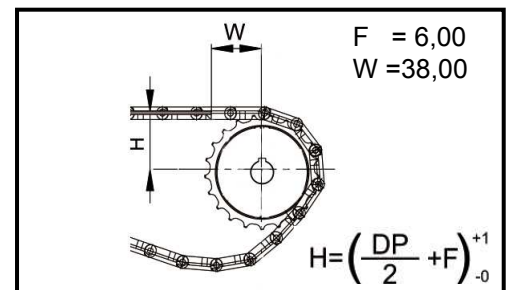


# SERIE 1843 EG



COD.	K		Kg/m	Base Chain	RM (mm)	*Ri (mm)
	mm	inch				
** 1843EG 125TAB	31,8	1,25	1,03	Steel	350	100
** 1843SSEG 125TAB				Stainless Steel		

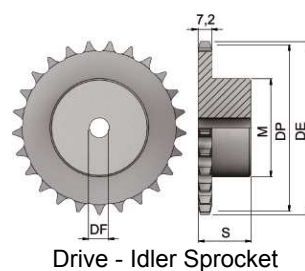


\* Ri: Back-flex Radius

** Prefix	Chain material	Color	Ø Pin (mm)	Standard Pin Material	Minimum Temperature	Maximum Temp.		TT N	FDA Approval
						Dry enviroment	Wet enviroment		
LF ●	Acetal-LF	Brown	3,98	S	-40	+85	+70	2700	✓
				SS304				1900	

Z	Ø De	Ø Dp	S
13	59,2	53,6	28
15	67,2	61,09	
17	75,2	69,11	
19	83,3	77,16	
21	90,3	85,22	
23	99,4	93,27	
25	107,4	101,33	30
27	115,5	109,40	
29	123,6	117,46	
30	127,6	121,50	
31	131,6	125,54	
33	139,7	133,60	

## Available types



## Remarks

- Standard packaging 3,048m 10ft.
- ● Flights. Made to order
- ● S and SS base chains. Made to order
- Other materials available under request