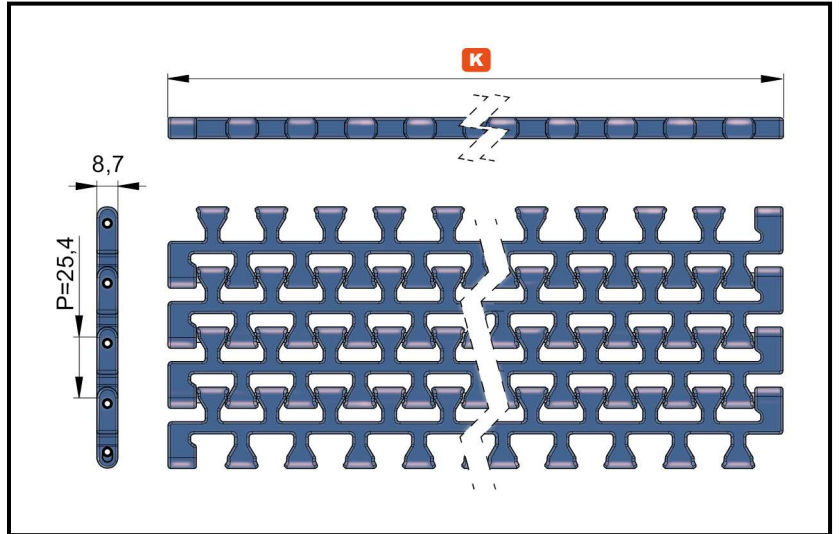
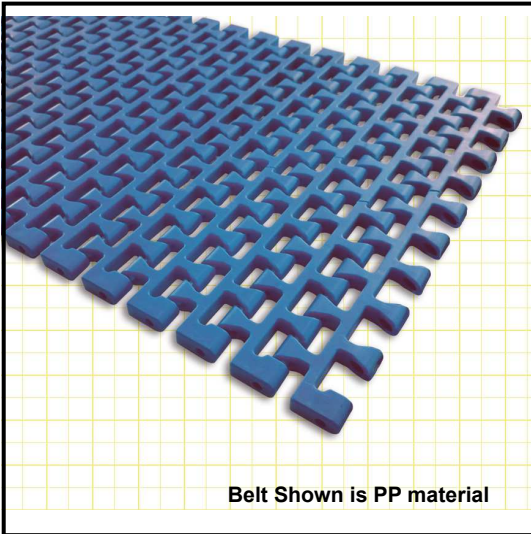
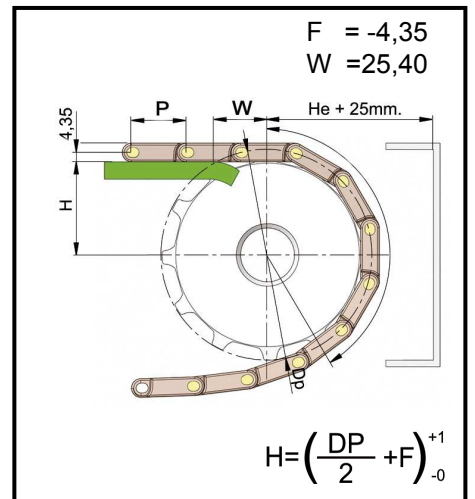


# SERIE 9252



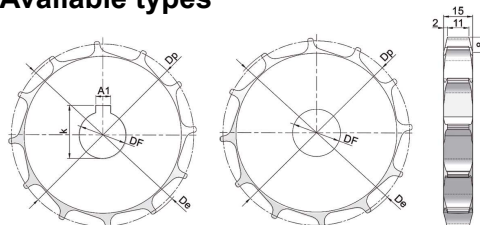
COD.	K		Kg/m <sup>2</sup>		Open Surface	Ri (mm)	Ømin. (mm)
	mm	inch	ACETAL (LF)	POLYPROPYLENE (PP)			
** 9252.0100	100	3,937	5,4	3,45	77%	-	106,85
** 9252.0200	200	7,874					
** 9252.0300	300	11,811					
** 9252.0400	400	15,748					
.....							
** 9252.1100	1100	43,307					
** 9252.1200	1200	47,244					



** Prefix	Chain material	Color	Ø Pin (mm)	Standard Pin Material	Minimum Temperature	Maximum Temp.		TT N/m	FDA Approval
						Dry enviroment	Wet enviroment		
PP	Chemical Resistant	Blue	4	PP	+5	+85	+70	13000	✓
KV ●	Acetal-Kevlar	Grey				+85	+70	17000	-

Z	Ø De	Ø Dp
8	68	66,37
10	84	82,19
12	100	98,14

### Available types



Solid Drive Sprocket

Solid Idler Wheel

### Remarks

- ● Made to order
- PP Blue Standard Production
- Other materials available under request
- Nominal sizes & weights are according to acetal raw material, and may vary for the rest of raw materials used