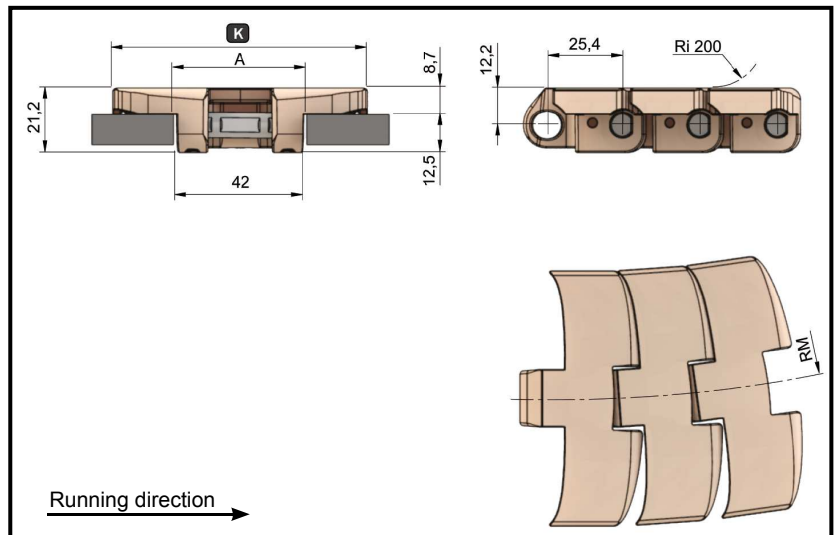
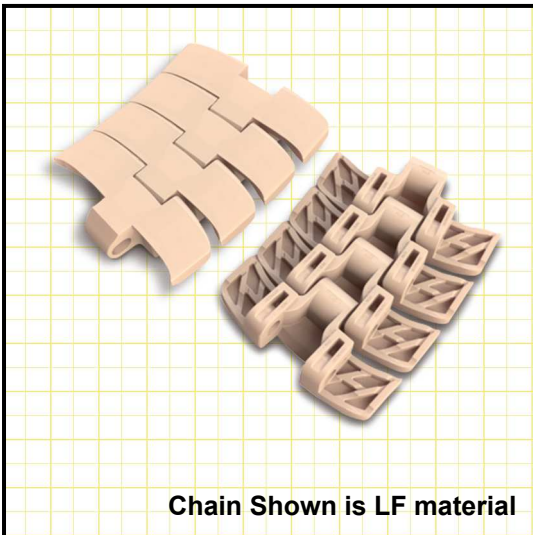
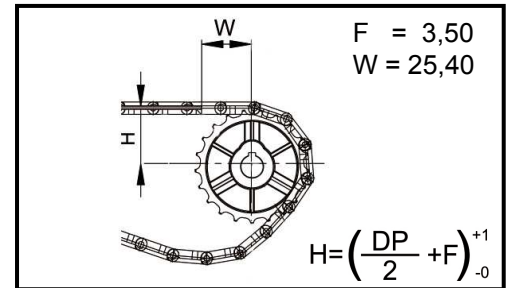


SERIE 2503 FT M



COD.	K		Kg/m	Open Surface	RM (mm)	*Ri (mm)
	mm	inch				
** 2503FT330M	83,7	3,3	1,72	%	500	200
** 2503FT450M	114,3	4,50	1,96			

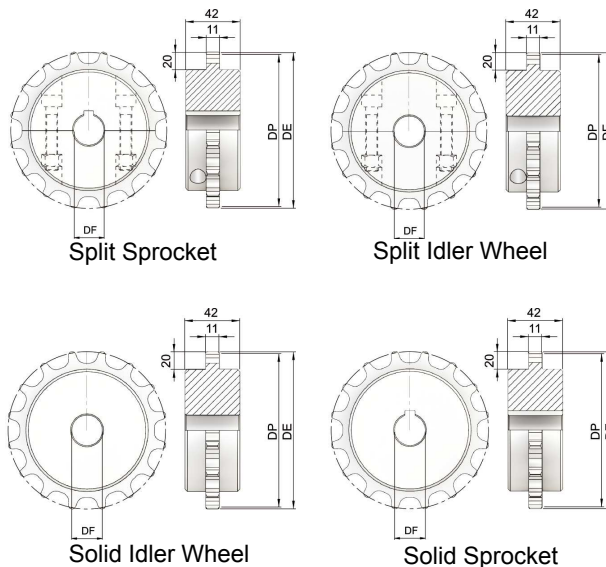


* Ri: Back-flex Radius

** Prefix	Chain material	Color	Ø Pin (mm)	Standard Pin Material	Minimum Temperature	Maximum Temp.		TT N	FDA Approval
						Dry enviroment	Wet enviroment		
LF	Acetal-LF	Brown	8	SS430	-40	+85	+70	1900	✓
KV ●	Acetal-Kevlar	Grey							-

Z	Ø De	Ø Dp
16	130,9	128,9
18	146,8	144,8
19	156,3	154,3

Available types



Remarks

- Standard packaging 3,048m 10ft.
- ● Made to order
- LF Standard Production
- Other materials available under request