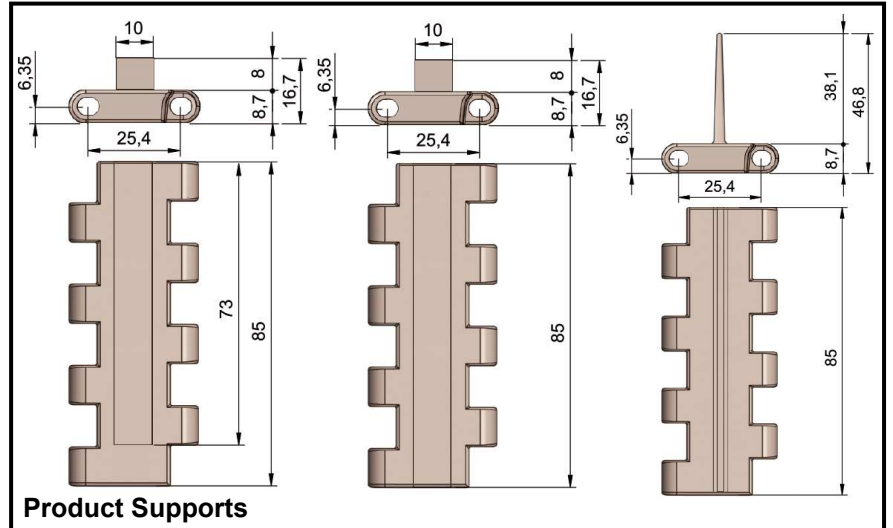
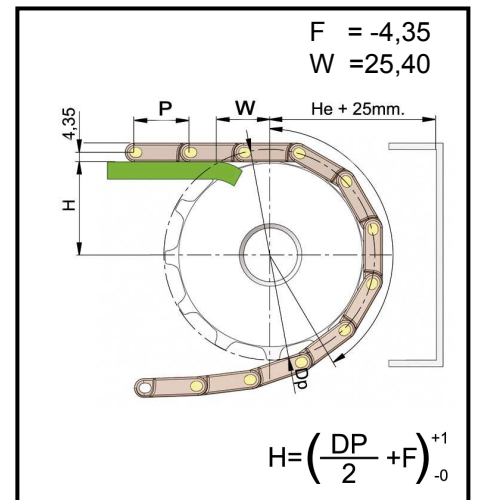


# SERIE 9253E



COD.	K		Kg/m <sup>2</sup>		Open Surface	*Ri (mm)	Ømin. (mm)
	mm	inch	ACETAL (LF)	KEVLAR (KV)			
** 9253.1EL008	85	3,346	8,00	8,00	0%	25	106,85
** 9253.1ET008						50	
** 9253.1ET038							

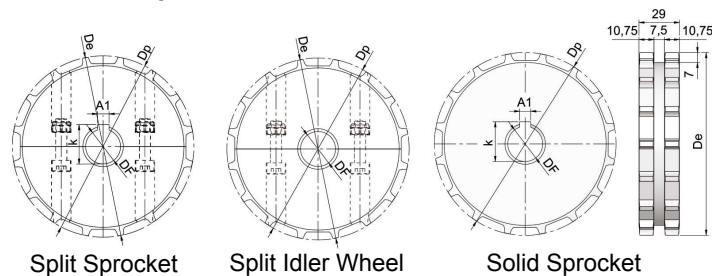
\* Ri: Back-flex Radius



** Prefix	Chain material	Color	Ø Pin (mm)	Standard Pin Material	Minimum Temperature	Maximum Temp.		TT N/m	FDA Approval
						Dry enviroment	Wet enviroment		
LF	Acetal-LF	Brown	4	PP	+5	+85	+70	20000	✓
KV ●	Acetal-Kevlar	Grey							-

Z	Ø De	Ø Dp	He
12	97	98,15	53,4
16	130	130,2	69,5
18	146	146,28	77,5
19	154,5	154,33	81,5
20	162,5	162,38	85,5
21	170,5	170,4	89,6

### Available types



### Remarks

- ● Made to order
- Other materials available under request. Made to order
- Nominal sizes & weights are according to acetal raw material, and may vary for the rest of raw materials used