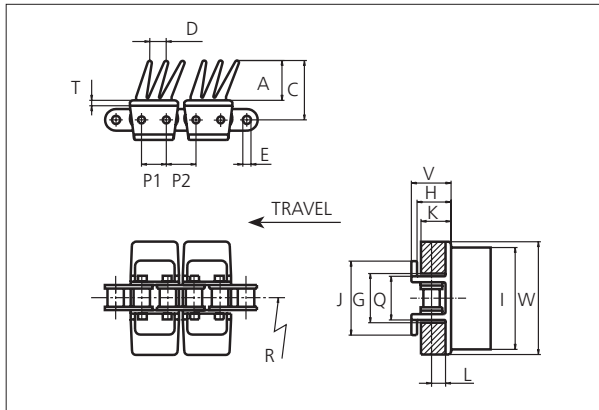
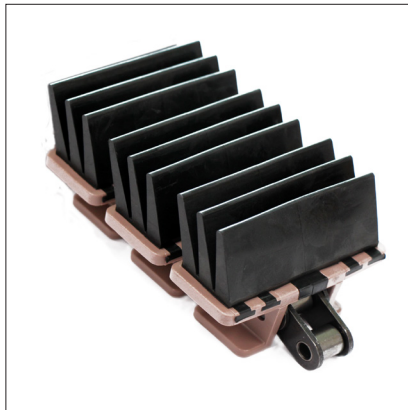




Snap-On Plastic Chain

Series **uni 1873** Type **Grip G3**



Snap-On Plastic Chain
 Side flexing chain
 Pitch: 19.1 mm (0.75 in)
 Backflex radius: 150.0 mm (5.90 in)
 Permissible tensile strength:
 uni 1873 Grip G3 (uni 304)
 stainless steel chain: 2000 N (450 lbf)
 uni 1873 Grip G3 carbon steel
 chain: 4000 N (900 lbf)
 Standard shipping lengths:
 No. of roller chain links/box:
 320 = 6.096 m (20.0 ft)
 No. of flights/box:
 160 = 6.096 m (20.0 ft)

NON STANDARD

A		C		D		E		G		H		I		J	
mm	in	mm	in	mm	in	mm	in	mm	in	mm	in	mm	in	mm	in
29.0	1.14	44.3	1.74	12.0	0.47	5.1	0.20	34.9	1.37	25.9	1.02	75.0	2.95	54.4	2.14
K		L		P1		P2		Q		T		V			
mm	in	mm	in	mm	in	mm	in	mm	in	mm	in	mm	in		
20.6	0.81	10.3	0.41	18.1	0.71	20.1	0.79	31.8	1.25	5.0	0.20	30.0	1.18		

All dimensions are for chains in POM material.

All Snap-On versions can be delivered either with a stainless steel chain (uni 304) or a carbon steel chain.

	Width (W)		Recommended flight material & color	Recommended chain material	Weight		Min. radius R	
	mm	in			kg/m	lb/ft	mm	in
K325	82.6	3.25	POM-DI G - 01 N POM-LFI BR - 04 K	SS304 or Carbon steel	-	-	-	-

Non standard material and color: See uni Material and Color Overview.

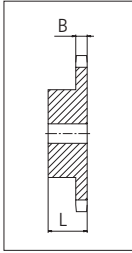
SIDE FLEXING

PITCH 19.1 MM/0.75 IN



Sprocket

No of teeth	Pitch diameter		Hub diameter		Overall width L		Tooth width B		Bore		Machined S1045
	mm	in	mm	in	mm	in	mm	in	mm	in	
Z19	115.7	4.56	80.0	3.15	35.0	1.38	11.7	0.46	16.0	0.63	✓
Z20	121.8	4.79	80.0	3.15	35.0	1.38	11.7	0.46	16.0	0.63	✓
Z25	152.0	5.98	90.0	3.54	40.0	1.57	11.7	0.46	20.0	0.79	✓

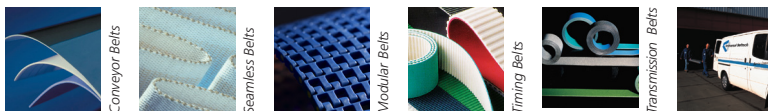


Please ensure that sufficient size shaft and keyway are chosen for corresponding load.

Non standard material and color:
See uni Material and Color Overview.

Other sprocket sizes are available upon request.
uni Retainer Rings: See uni Retainer Ring data sheet.

uni 1873 Grip G3/170922



Expert advice, quality solutions and local service for all your belting needs
www.ammeraalbeltech.com

Ammeraal Beltech Modular A/S
Hjulgagervej 21
DK-7100 Vejle

T +45 7572 3100
F +45 7572 3348
admin@unichains.com
www.unichains.com

This information is subject to alteration due to continuous development. Ammeraal Beltech will not be held liable for the incorrect use of the above stated information. This information replaces previous information. All activities performed and services rendered by Ammeraal Beltech are subject to general terms and conditions of sale and delivery, as applied by its operating companies.