



Accessories

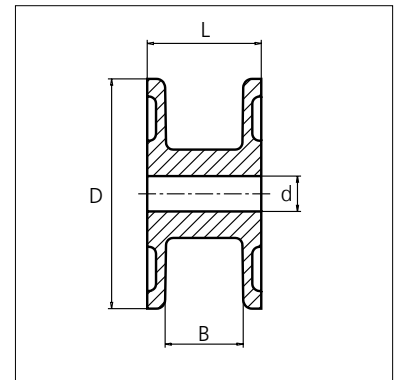
Idler

No. of teeth of Corresponding sprocket	B		Overall diameter D		Bore d				L	
					Min		Max			
	mm	in	mm	in	mm	in	mm	in	mm	in
19	44.4	1.75	116.9	5.11	20.0	0.79	38.1	1.50	63.5	2.50
21	44.4	1.75	129.8	5.11	20.0	0.79	38.1	1.50	63.5	2.50
23	44.4	1.75	142.2	5.60	20.0	0.79	38.1	1.50	63.5	2.50
25	44.4	1.75	154.7	6.09	20.0	0.79	38.1	1.50	63.5	2.50



STANDARD

Standard material	POM-D
--------------------------	-------



All idlers are supplied with pilot bore.

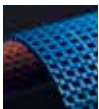
Idlers are available for: uni 810, uni 812, uni 815, uni 881, uni Magnet, uni 881 Super Flex, uni 8811, uni 8811 Super Flex, uni 820, uni 831, uni 879, uni 879 Super Flex, uni 880 and uni 880 Super Flex.



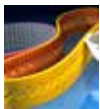
Synthetic Belts



Endless Woven Belts



Modular Belts



Engineered Belts



Homogeneous Belts



Fabrication & Service

**Expert advice and quality solutions
for all your belting needs.**
ammeraalbeltech.com

Ammeraal Beltech Modular A/S
Hjulgagervej 21
DK-7100 Vejle
T +31 7572 3100

ammega.com

This information is subject to alteration due to continuous development. Ammeraal Beltech will not be held liable for the incorrect use of the above stated information. This information replaces previous information. All activities performed and services rendered by Ammeraal Beltech are subject to general terms and conditions of sale and delivery, as applied by its operating companies.

Member of Ammega Group.